

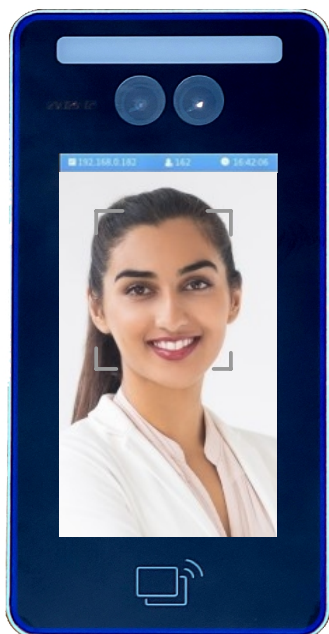
TF43

4.3" Low Cost, AI based face recognition Access control & Attendance all-in-one terminal

TF43 is a face recognition based time attendance and access control terminal with deep learning algorithm. It uses an industrial-grade (IP 65) embedded SOC, which can quickly recognise live Faces from the local database.

It support 10,000 faces with super high recognition accuracy with face recognition speed 0.3 Sec, and the recognition accuracy rate ≥99%. It has reliable offline recognition & supports binocular liveness detection. It supports attendance recording & access control system. It adopts the full HD WDR, the color camera which can easily cope with the backlit dark and bright environment.

TF43 is a wall-mounted face recognition all-in-one terminal with the best cost to performance ratio & is highly recommended for SME segment.



TF43

Features :

- ▶ Wall-mounted 4.3-inch display screen face recognition and access control device
- ▶ 3,000 face Users in 1:N mode, Upgradable to 10,000 users
- ▶ 100,000 Attendance Transaction Records
- ▶ Support offline face recognition and binocular liveness detection
- ▶ Face recognition speed 0.3 Sec, recognition accuracy rate ≥99%
- ▶ Support time attendance function
- ▶ Built in TCP/IP, Wiegand Output, Access Control Relay for EM Locks, Drop Bolt
- ▶ Size : 161(H)*82(W)*21 mm
- ▶ Compatible with OTG HR (Attendance Management App on Cloud)

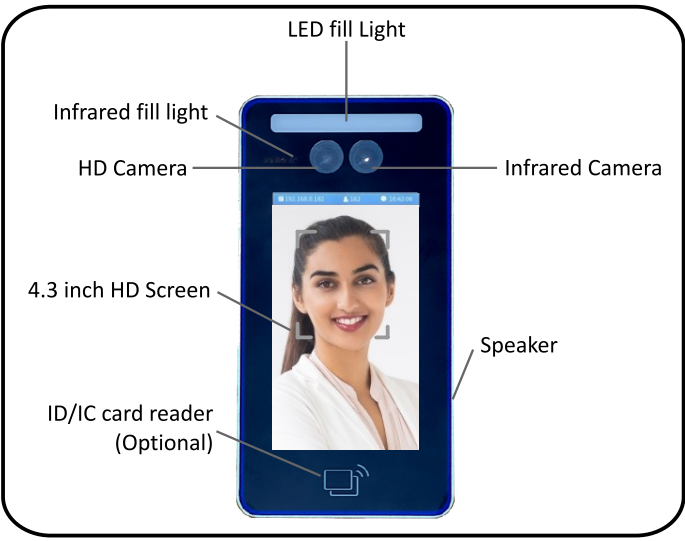
TECHNICAL DATA SHEET

Basic parameters		Video setting	Exposure, gain, contrast, saturation, brightness adjustable, face exposure compensation
Processor	ARM Cortex-A7 Dual Core up to 1Ghz	Snapshots	
Display	4.3 inch	Image Format	JPEG encoding
Sensor	1/2.8" CMOS	Picture size	640*352
Minimum illumination	0.01Lux@(F1.2,AGC ON)	Smart features	
Shutter	1/25s~1/10000s	Recognition mode	Offline dynamic face recognition
Camera	6mm fixed lenses+6mm infrared lenses	Recognition Type	1:N
Day&night parameters	Self-adaptive	Liveness detection	Support
Wide dynamic	Support	Face library	10,000 faces
Digital noise reduction	Self-regulating	Records	100,000
BLC	Support	Recognition speed	≤ 300ms
Digital noise reduction	Self-regulating	Recognition distance	0.3m - 1.5m (1ft. - 5ft.)
Voice broadcast	Support TTS voice broadcast customization	Facelibrary dispatch	Single pictures, batch pictures, real-time snapshots
Coding standard		Management type	blacklist, white list, temporary users
Video standard	H.264	Output mode	Wiegand 26/34/66, relay
Code rate	1024Kbps~4Mbps	Trigger mode	Video trigger
Video		Network	
Encoding format	H.264	Supported protocol	TCP/IP, HTTP, FTP, Wiegand, DNS, NTP, MQTT, WEBSOCKET, SDK
Video size	720P (1280*720)	General functions	Heartbeat, password protection, NTP time calibration
Frame rate	25fps		
Video overlay	Time, points		

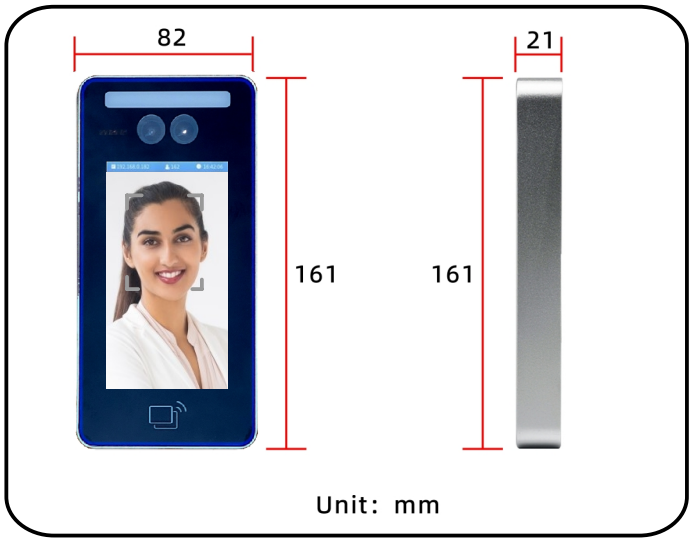
Interfaces		Other parameters	
Communication interface	RJ45 10M/100M Adaptive Ethernet port	Power	DC 12V/2A, ≤8W
Relay output	1 way relay signal output	Operating Environment	-20°~+70°, 0% - 90%
Wiegand Signal	Wiegand output	Parts List	Main product, power supply, manual, wall bracket, expansion screw

OPTIONS FOR THE MODEL		
Options	Functions	Specifications
Card	Card swiping pass	IC+ID
Built-in NFC	Card, mobile phone pass	NFC compliant cards, equipment
WIFI	WIFI	IEEE 802.11 b/g/n
Protocol	Communication over Cloud	MQTT

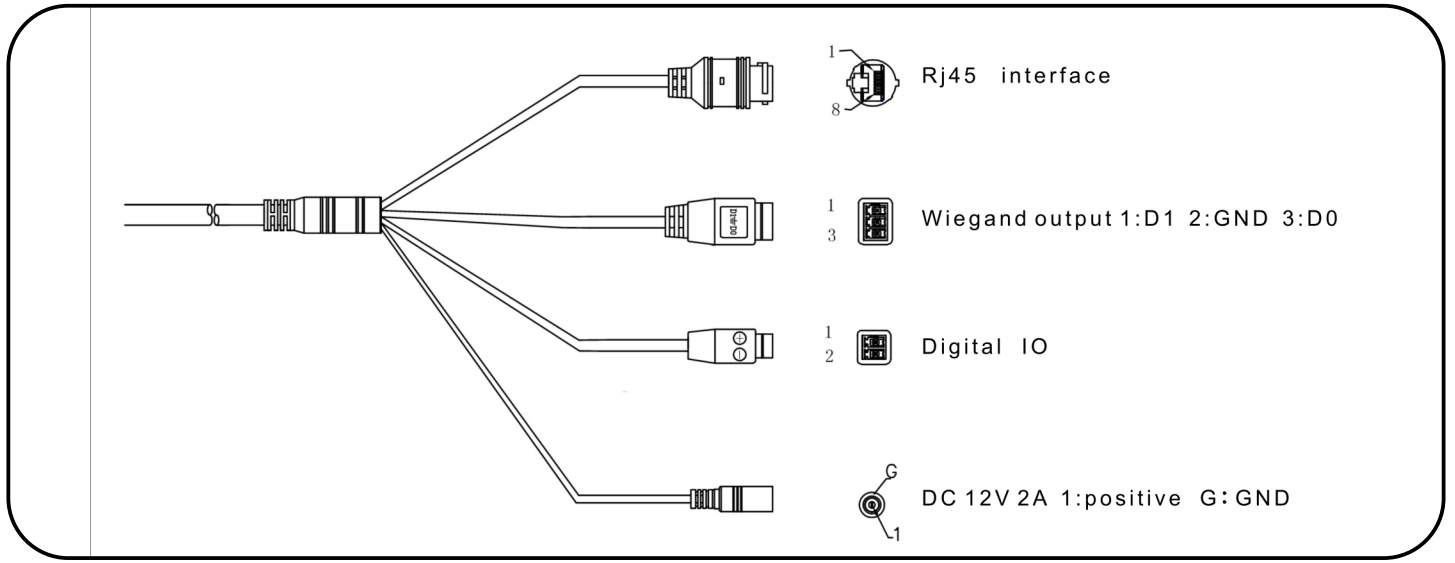
Description of appearance



Graphical data



Tail cable



Ordering Information

- **TF43** : 7" Wall mounting Face Attendance Device
- **Smart Face** : Web Based Communication Server for Face & Finger Terminal, Template & Data Management with Push Technology over MQTT protocol

Options

- **OPT 03** : Built in ID+IC Reader
- **OPT 05** : Built in Wifi
- **OPT 06** : External Battery Back-up (2Hrs)

Scanner
IS 13252 (Part 1)
:2012

R-41228036
www.bis.org.in

Marketed by
FORTUNA
IMPEX PVT LTD

☎ : +91 7550 670 670
✉ : info@fortunaindia.com
🌐 : www.fortunaindia.com